



Model HPT717
Pressure/Temperature Transducer

Specifications, Applications, Service Instructions & Parts

PRESSURE/ TEMPERATURE TRANSDUCER

**4-20 mA Output
of Superheat / Subcooling**

INTRODUCTION

Temperature and pressure determine whether a refrigerant is at saturation, superheat, or subcooling. The Hansen Pressure/Temperature Transducer measures both temperature and pressure within a single sensor. Electronics in the sensor then calculate the superheat or subcooling for the specified refrigerant. This value is converted to a milliamp signal for use by a customer supplied computer or controller.

APPLICATIONS

Measurement of superheat to control an electronic expansion valve for a DX evaporator.

Measurement of subcooling.

Measurement of non-condensable gas in a refrigeration system, which because it has a pressure higher than expected at the given temperature looks like subcooling.

Measurement of superheat to monitor/control de-superheater temperature.

Measurement of superheat to monitor/control suction gas temperature to compressor.

KEY FEATURES

- Specifically designed for industrial refrigeration
- Solid-state electronics
- Computer compatible, 2-wire 4-20 mA signal output
- DIN plug standard, or optional 1/2" NPSM Quick Disconnect
- Single 3/4" NPT fitting to system
- Watertight NEMA 4 (IP65) enclosure
- Base model is suitable for ammonia
- Also suitable for R22, R134a, and many other refrigerants with the appropriate refrigerant key

SPECIFICATIONS

- Supply Voltage: 12-30 VDC
- Signal Output: 4-20 mA proportional to superheat or subcooling (see page 2)
- Maximum Load Resistance: 1200 Ohms at 24 VDC
- Ambient Temperature Range: -20°F to +125°F (-30°C to +50°C)
- Refrigerant Temperature:
 - Standard Model HPT
-35°F to +150°F (-37°C to +65°C)
 - Low Temperature Model HPTL
-60°F to +150°F (-51°C to +65°C)
- Enclosure: NEMA 4, watertight (IP65)
- Accuracy: +/- 1°F (0.6°C) superheat / subcooling
- Safe Working Pressure: 400 psig (28 bar)
- Pressure Sensing Range: 29 in-Hg to +285 psig (-1 to +19 bar)
- Transducer Body: steel, zinc plated with yellow chromate
- Connection Style: 3/4" NPT

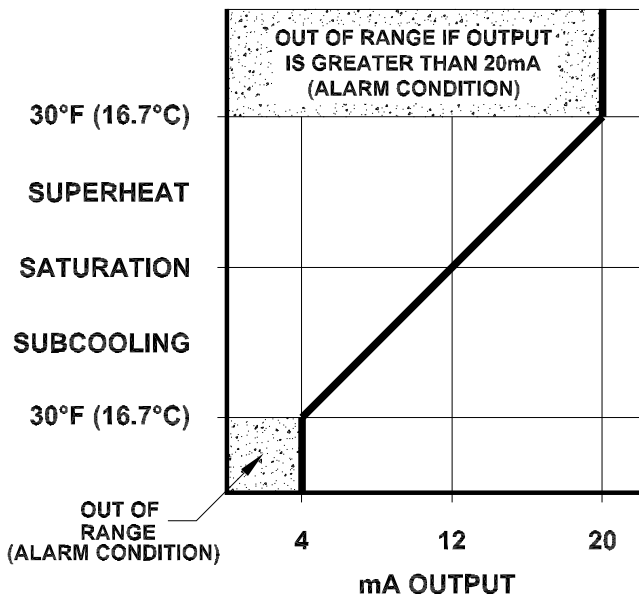
ADVANTAGES

Because the superheat or subcooling is calculated right in the transducer head, control systems are greatly simplified. A standard PLC or off-the-shelf PID controller can be used with this sensor. Combining the temperature measurement and pressure measurement in one sensor simplifies installation. Having the temperature sensor extend into the fluid flow greatly increases the accuracy and response time of the temperature measurement.

PRINCIPLES OF OPERATION

A precision thermistor in the extension tube accurately measures the refrigerant temperature. A precision, temperature compensated, pressure transducer in the transducer body accurately measures the refrigerant pressure. Electronics within the transducer head convert these measurements to a superheat or subcooling value. Data for the refrigerant properties of ammonia are stored on the base circuitry. Data for the refrigerant properties of many other refrigerants including R22, and R134a are stored on refrigerant keys that plug into the circuit board inside the NEMA 4 electrical enclosure. When one of the keys is plugged into the circuit board, the electronics use the data for the refrigerant specified by the key, instead of the ammonia data. The superheat or subcooling value is then converted to a mA output signal. 12 mA output corresponds to saturation (i.e. zero superheat, zero subcooling). 4 mA corresponds to 30°F (16.7°C) subcooling. 20 mA output corresponds to 30°F (16.7°C) superheat.

PRESSURE/TEMPERATURE TRANSDUCER OUTPUT SIGNAL



INSTALLATION

For vapor flow install the transducer so that the tip of the extension tube is in the flow stream, for the most accurate measurement. For DX evaporator superheat sensing, install the transducer anywhere above the centerline of the pipe. For mixed liquid and vapor flow, install the transducer so that the tip of the extension tube is near the bottom of the flow so that it is most likely to be in liquid, for the most accurate measurement. See sketch below. For liquid flow, the installation location is less critical, but having the tip in the flow is recommended.

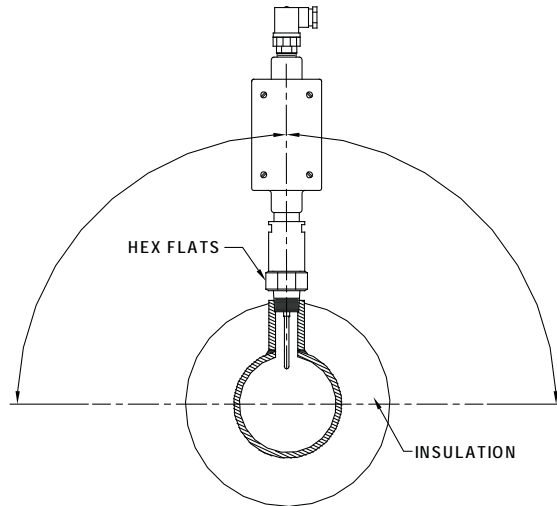
Ensure there is enough clearance for the extension tube insertion length. The insertion length can not be changed in the field. See installation dimensions, page 6.

Tighten the 3/4" NPT fitting with the 1-1/2" (38 mm) across the flats hex only. Use appropriate pipe thread sealant. Do not turn the 1-1/2" round section with a pipe wrench. A pipe wrench on the 1-1/2" round section may severely damage or break the transducer.

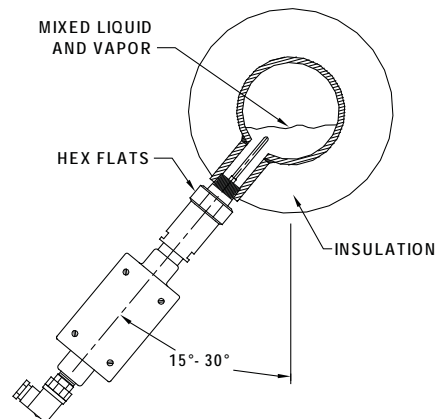
Insulate pipe one foot on each side of Pressure/Temperature Transducer to minimize the effects of ambient temperature.

SUPERHEAT SENSING

For DX evaporator superheat sensing, install anywhere above the centerline of the pipe.



For mixed liquid and vapor flow, install so that the tip is near the bottom of the pipe.



ELECTRICAL

The Pressure/Temperature Transducer is a two wire, loop powered, 4-20 mA device. A 24 VDC power supply is required for the milliamp loop circuit, but no additional power wires are required for the Pressure/Temperature Transducer. See Typical Wiring Diagram.

RESPONSE TIME

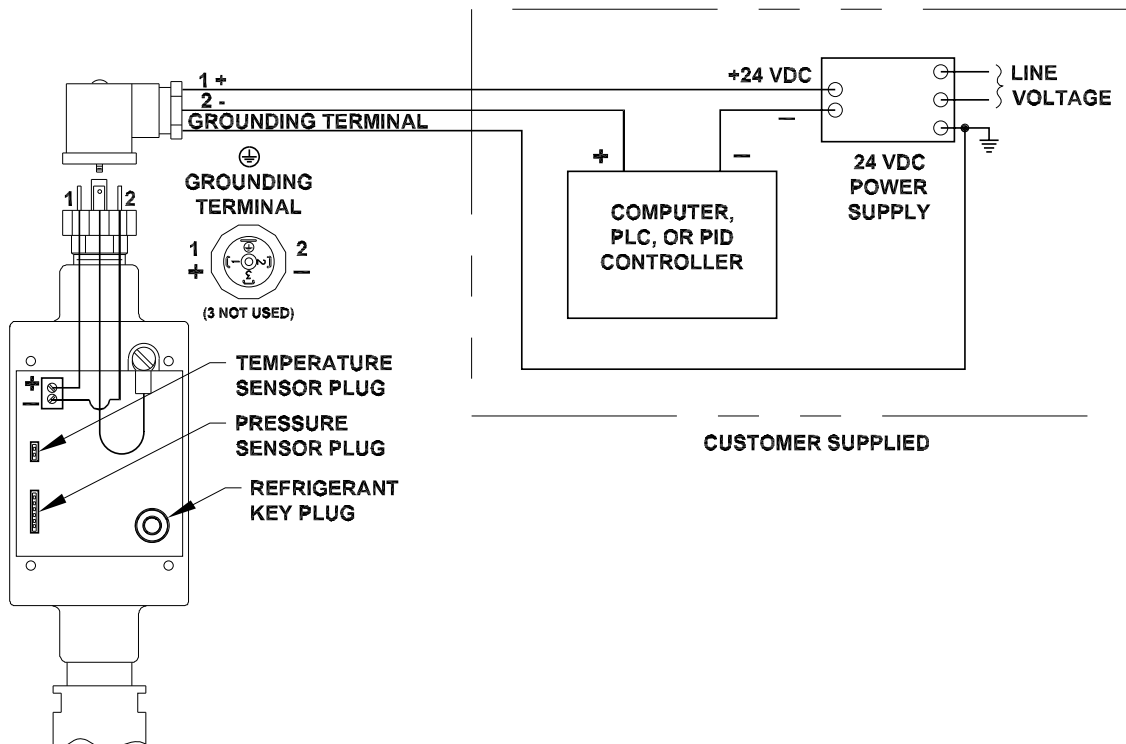
The Hansen Pressure/Temperature Transducer is designed to have very fast response time to changes in temperature and pressure. This feature enhances control of direct expansion evaporator liquid feed valves. However, many applications do not demand a quick response (ie. non-condensable gas in condensers). Momentary changes in pressure may give transient high output readings of subcooling or superheat. The controls designer should take into consideration this possibility and build into the control system time averaging, time delay, or PID control logic to minimize potential disruptions to the refrigeration system.

ALARMS

The Pressure/Temperature Transducer measures subcooling to 30°F(16.7°C) below saturation temperature or to 30°F(16.7°C) superheat above saturation temperature. Above or below these values, alarms may be necessary to prevent potential refrigeration system problems. It is up to the system designer to determine if alarms are required. A reading of 4 mA or less is out of range of the transducer. A reading of 20mA or more is out of range of the transducer.

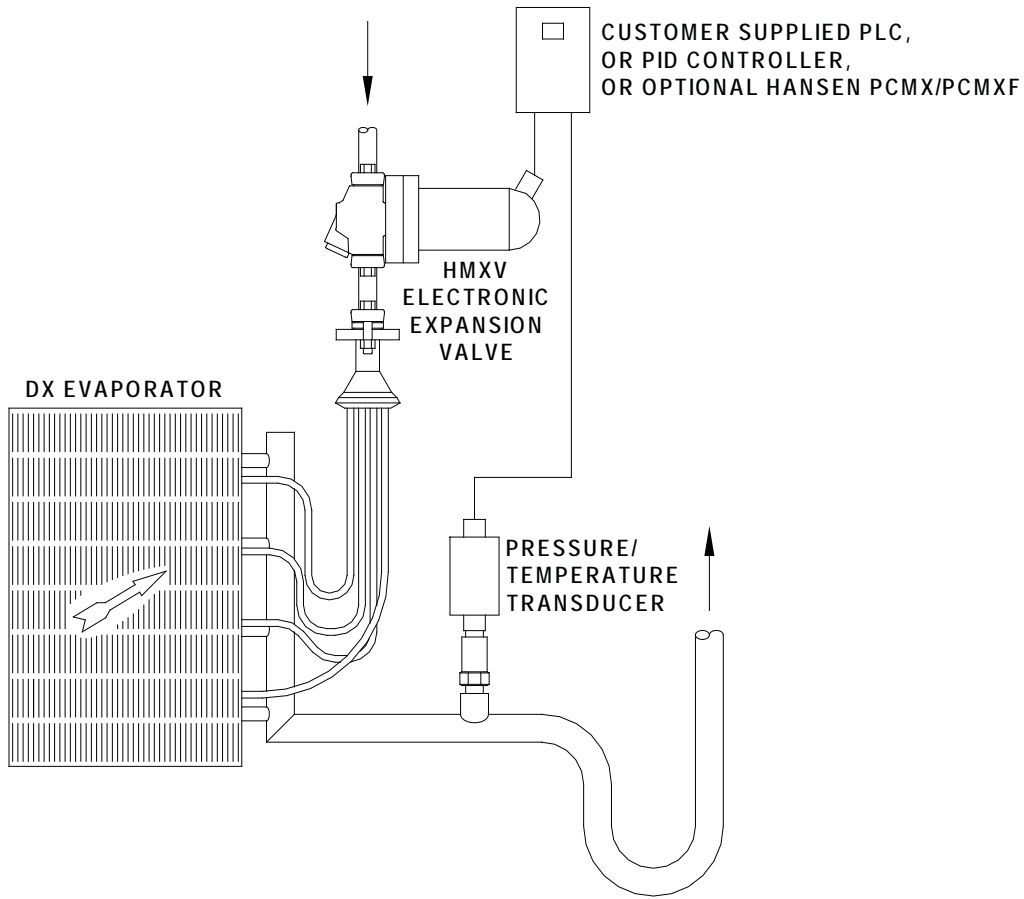
The Pressure/Temperature Transducer is an operating device and should not be used as a safety device. For critical applications, other suitable safety devices should be included as part of the overall control system.

TYPICAL WIRING DIAGRAM

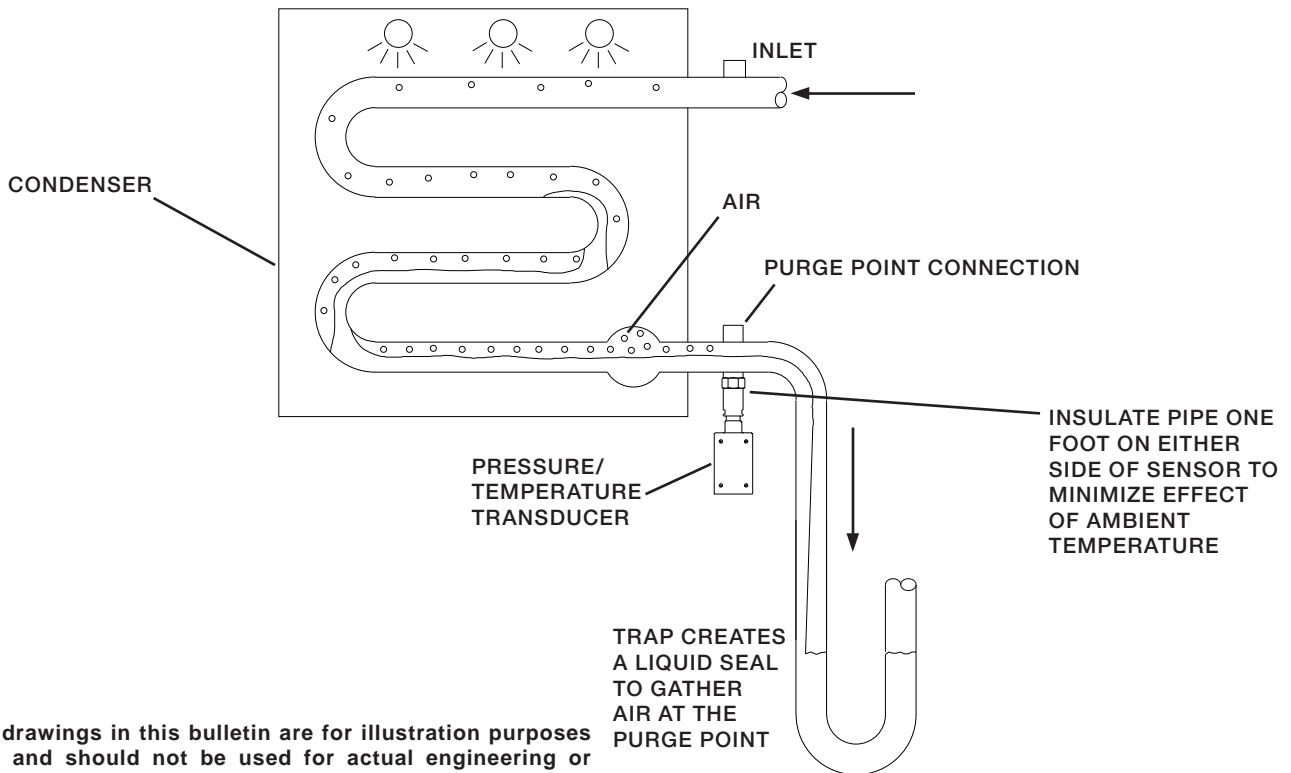


The drawings in this bulletin are for illustration purposes only and should not be used for actual engineering or installation. Not to scale.

APPLICATION: DIRECT EXPANSION EVAPORATOR

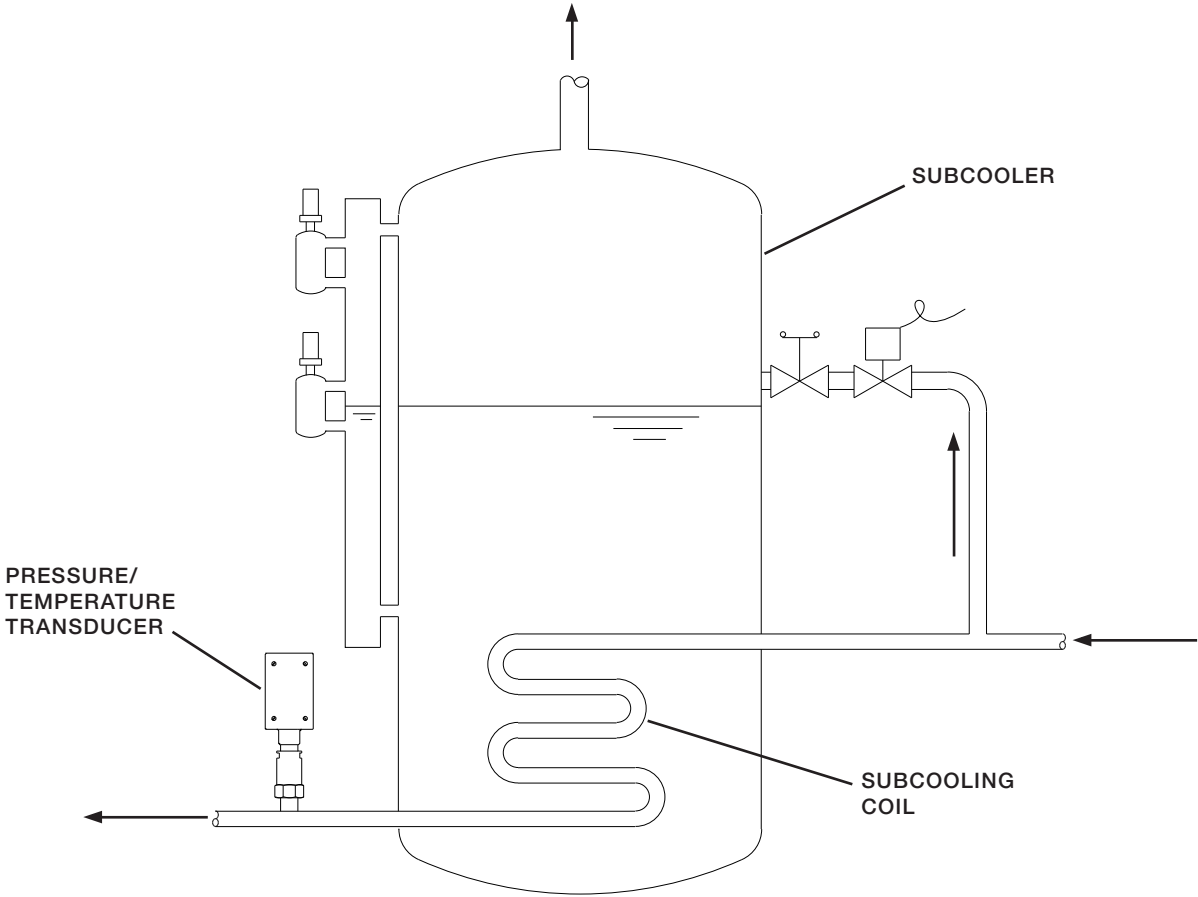


APPLICATION: NON-CONDENSIBLE GAS SENSING

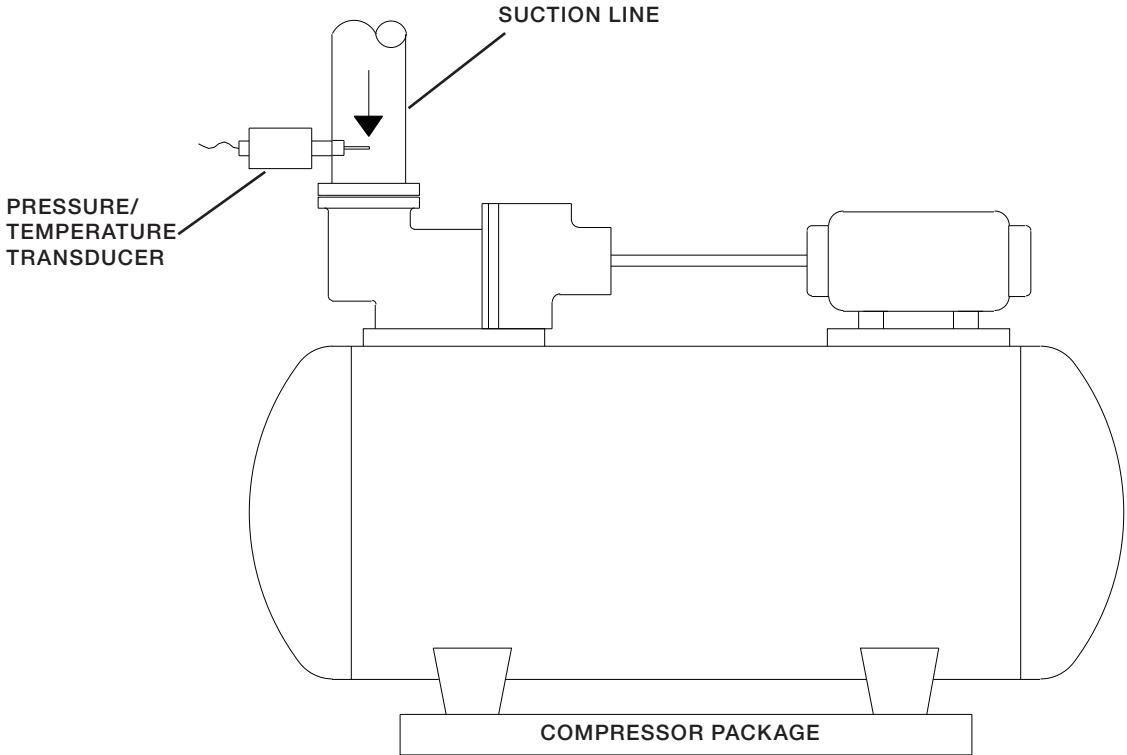


The drawings in this bulletin are for illustration purposes only and should not be used for actual engineering or installation. Not to scale.

APPLICATION: SUB-COOLED LIQUID



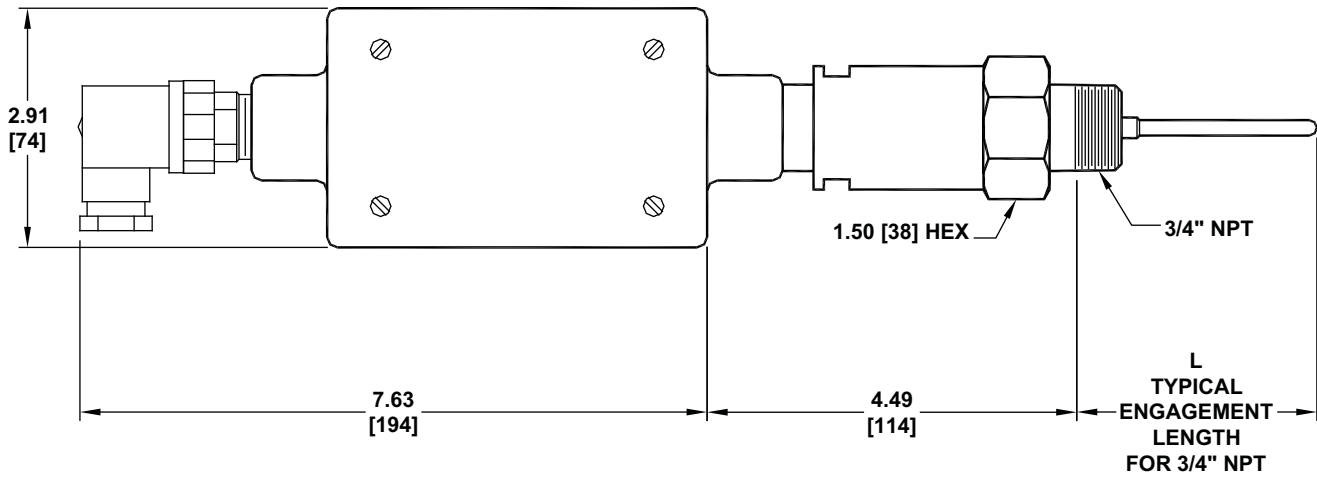
APPLICATION: MONITOR SUPERHEAT TO COMPRESSOR SUCTION



The drawings in this bulletin are for illustration purposes only and should not be used for actual engineering or installation. Not to scale.

INSTALLATION DIMENSIONS

INCHES (MILLIMETERS)



MODEL	L *
HPT -35°F to +150°F (-37°C to +65°C)	2.92 (74)
HPTL -60°F to +150°F (-51°C to +65°C)	6.42 (163)

* STANDARD MODEL HPT MAY BE USED FOR REFRIGERANT TEMPERATURES DOWN TO -35°F [-37°C]. LOW TEMPERATURE MODEL HPTL HAS A LONGER INSERTION LENGTH AND MAY BE USED FOR REFRIGERANT TEMPERATURES DOWN TO -60°F (-51°C).

MILLIAMP OUTPUT TABLES

FAHRENHEIT

REFRIGERANT CONDITION	SUPERHEAT/SUBCOOLING °F	MILLIAMP OUTPUT
	Out of Range	> 20
Superheat Degrees from Saturation Point	30	20.0
	29	19.7
	28	19.5
	27	19.2
	26	18.9
	25	18.7
	24	18.4
	23	18.1
	22	17.9
	21	17.6
	20	17.3
	19	17.1
	18	16.8
	17	16.5
	16	16.3
	15	16.0
	14	15.7
	13	15.5
	12	15.2
	11	14.9
10	14.7	
9	14.4	
8	14.1	
7	13.9	
6	13.6	
5	13.3	
4	13.1	
3	12.8	
2	12.5	
1	12.3	
	Refrigerant at Saturation Point	12.0
Subcooled Degrees from Saturation Point	1	11.7
	2	11.5
	3	11.2
	4	10.9
	5	10.7
	6	10.4
	7	10.1
	8	9.9
	9	9.6
	10	9.3
	11	9.1
	12	8.8
	13	8.5
	14	8.3
	15	8.0
	16	7.7
	17	7.5
	18	7.2
	19	6.9
	20	6.7
21	6.4	
22	6.1	
23	5.9	
24	5.6	
25	5.3	
26	5.1	
27	4.8	
28	4.5	
29	4.3	
Out of Range	30	≤ 4.0

CELSIUS

REFRIGERANT CONDITION	SUPERHEAT/SUBCOOLING °C	MILLIAMP OUTPUT
	Out of Range	> 20
Superheat Degrees from Saturation Point	16.5	19.9
	16.0	19.7
	15.5	19.4
	15.0	19.2
	14.5	19.0
	14.0	18.7
	13.5	18.5
	13.0	18.2
	12.5	18.0
	12.0	17.8
	11.5	17.5
	11.0	17.3
	10.5	17.0
	10.0	16.8
	9.5	16.6
	9.0	16.3
	8.5	16.1
	8.0	15.8
	7.5	15.6
	7.0	15.4
6.5	15.1	
6.0	14.9	
5.5	14.6	
5.0	14.4	
4.5	14.2	
4.0	13.9	
3.5	13.7	
3.0	13.4	
2.5	13.2	
2.0	13.0	
1.5	12.7	
1.0	12.5	
0.5	12.2	
	Refrigerant at Saturation Point	12.0
Subcooled Degrees from Saturation Point	0.5	11.8
	1.0	11.5
	1.5	11.3
	2.0	11.0
	2.5	10.8
	3.0	10.6
	3.5	10.3
	4.0	10.1
	4.5	9.8
	5.0	9.6
	5.5	9.4
	6.0	9.1
	6.5	8.9
	7.0	8.6
	7.5	8.4
	8.0	8.2
	8.5	7.9
	9.0	7.7
	9.5	7.4
	10.0	7.2
10.5	7.0	
11.0	6.7	
11.5	6.5	
12.0	6.2	
12.5	6.0	
13.0	5.8	
13.5	5.5	
14.0	5.3	
14.5	5.0	
15.0	4.8	
15.5	4.6	
16.0	4.3	
Out of Range	16.5	< 4.1

CAUTION

The Hansen Pressure/Temperature Transducers are for refrigeration systems only. These instructions and related safety precautions must be completely read and understood before selecting, using, or servicing these transducers. Only knowledgeable, trained refrigeration technicians should install, operate, or service these transducers. Stated temperature and pressure limits should not be exceeded. Transducer bodies should not be removed from the system unless the system has been evacuated to zero pressure. Escaping refrigerant can cause injury, especially to the eyes and lungs.

WARNING: As with all electronic and mechanical components, there is a limited product life expectancy. An expected life of seven to ten years is typical. This should be understood as only a suggested replacement time period. Actual condition and performance of electronics due to ambient conditions, quality of electrical current, voltage, etc., may necessitate a different replacement schedule. Regardless, transducers should be inspected at least once a year to ensure their safe and continuous service. See also Safety Precautions in the current List Price Bulletin and the Safety Precautions Sheet supplied with this product.

TROUBLESHOOTING GUIDE

The Pressure/Temperature Transducers are simple, solid-state devices. In the event that a problem should arise, the following guidelines should be followed for troubleshooting the probe.

Make sure that the actual conditions match the calibration conditions. The refrigerant that the probe is calibrated for is ammonia, unless a refrigerant key is plugged into the circuit board. The refrigerant type is stamped on the key.

It is very important to prevent moisture from entering the transducer housing at all times. Take steps to ensure that the internal electronics stay dry during storage, installation, and operation. Moisture inside the probe housing can damage the transducer electronics.

ORDERING INFORMATION

REFRIGERANT	CATALOG NUMBER	
	STANDARD -35°F to +150°F (-37°C to +65°C)	LOW TEMPERATURE -60°F to +150°F (-51°C to +65°C)
Ammonia	HPT717	HPTL717
R22	HPT22	HPTL22
R134a	HPT134	HPTL134
R404A	HPT404	HPTL404
R507A	HPT507	HPTL507
Propane	HPT290	HPTL290
CO ₂	HPT744	HPTL744

TO ORDER

Specify catalog number. DIN ½" NPSM Quick Disconnect plug is standard. For other refrigerants, consult factory.

WARRANTY

Hansen electronics are guaranteed against defective materials or workmanship for 90 days F.O.B. our factory. All other components are guaranteed for one year F.O.B. our factory. No consequential damages or field labor is included.

TYPICAL SPECIFICATIONS

"The Pressure/Temperature Transducer shall measure pressure and temperature in a single sensor, calculate superheat / subcooling, and provide a 4-20 mA signal output, as manufactured by Hansen Technologies Corporation or approved equal."

HANSEN

Hansen Technologies Corporation
400 Quadrangle Drive, Suite F
Bolingbrook, Illinois 60440 USA
Tel: 630.325.1565 Fax: 630.325.1572 Toll: 866.4HANSEN
Email: sales@hantech.com Web: www.hantech.com
USA · Asia · Europe · India · Latin America · Middle East
© 2011 Hansen Technologies Corporation